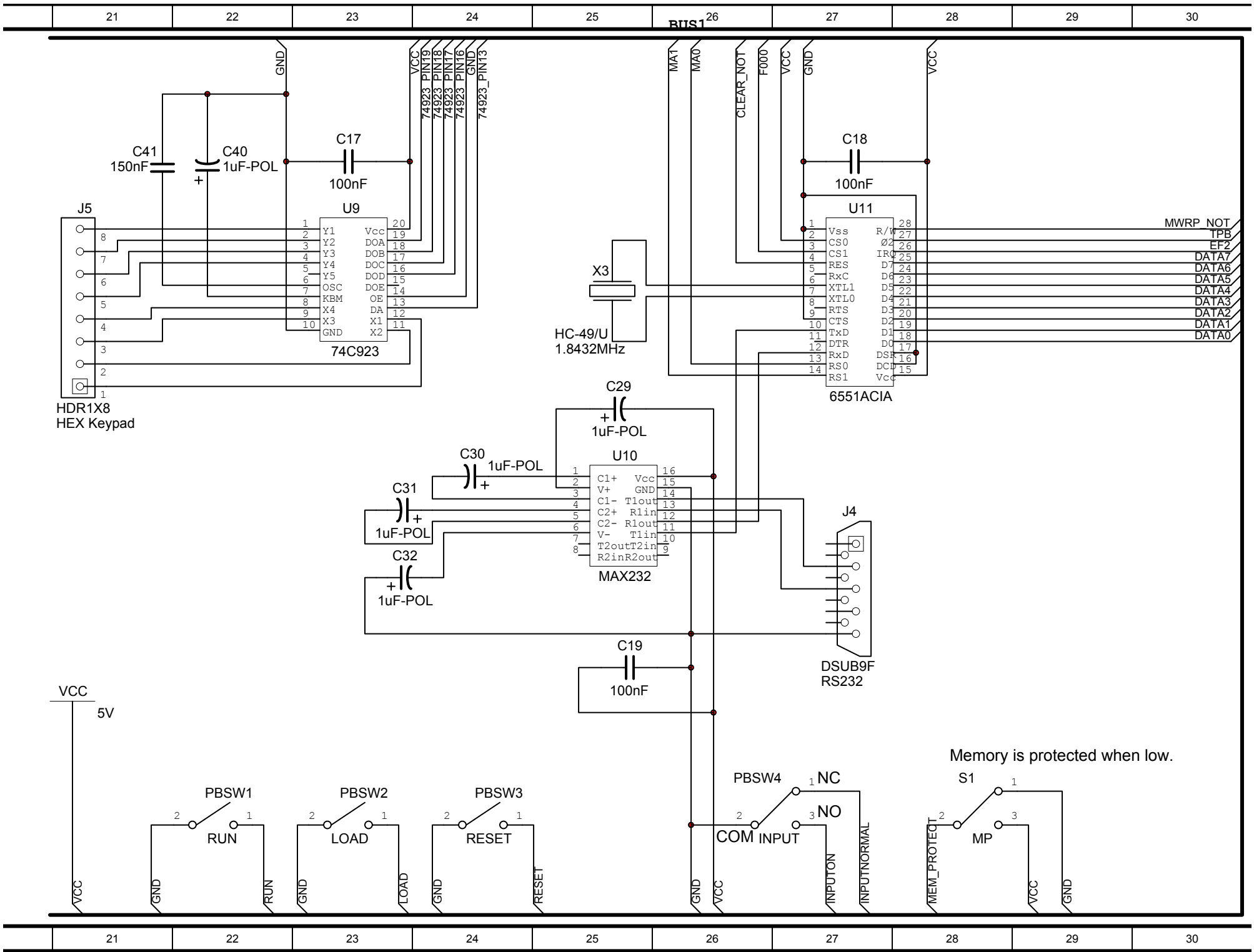


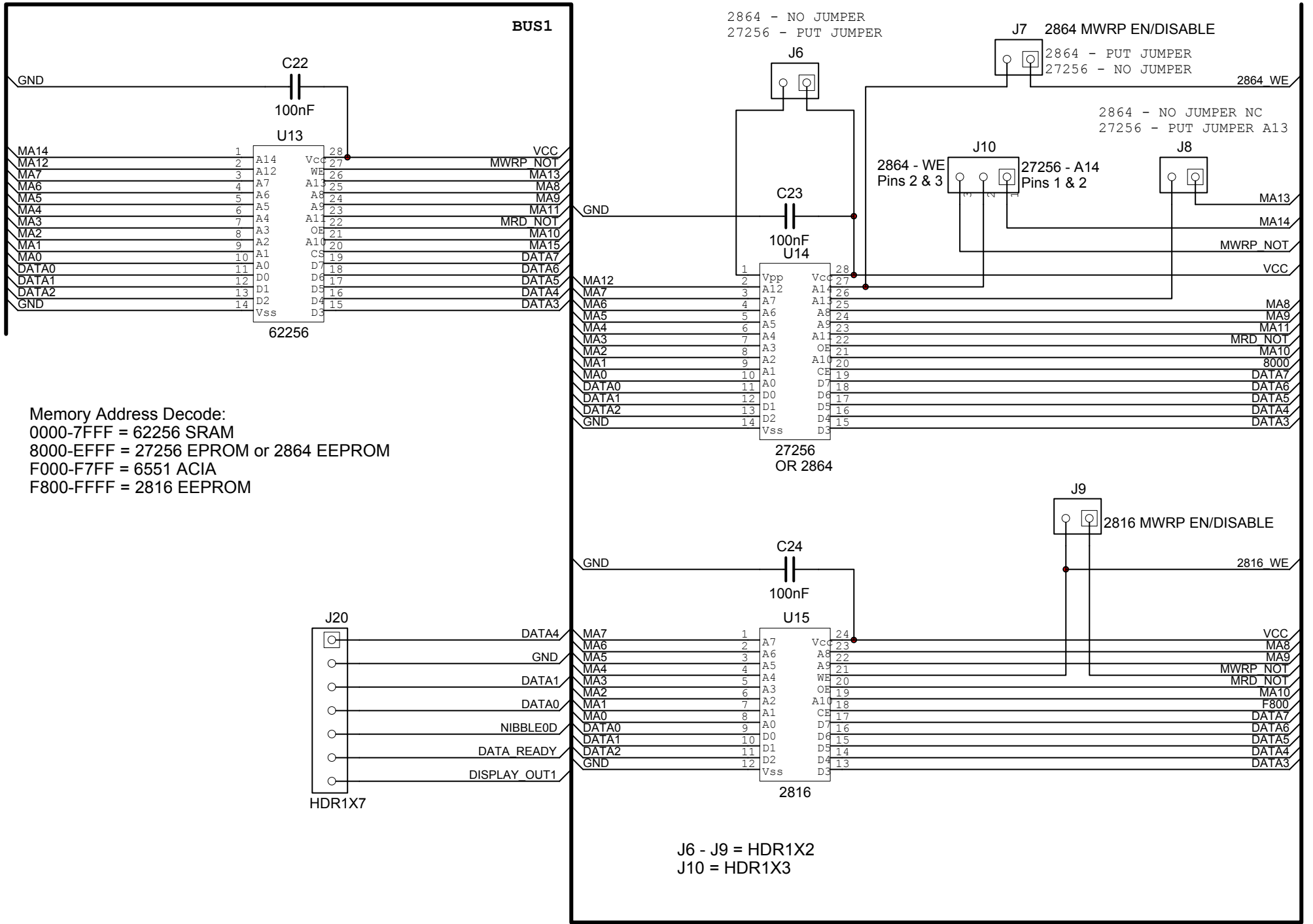
NewELFII
 Updated and modified with Altera PLD and LCD using Gilbert Bertrand's 1989 design.

Designed by: Marc Bertrand

Date: 1 April 2011

Revision:
 1.0





J6 - J9 = HDR1X2
 J10 = HDR1X3

