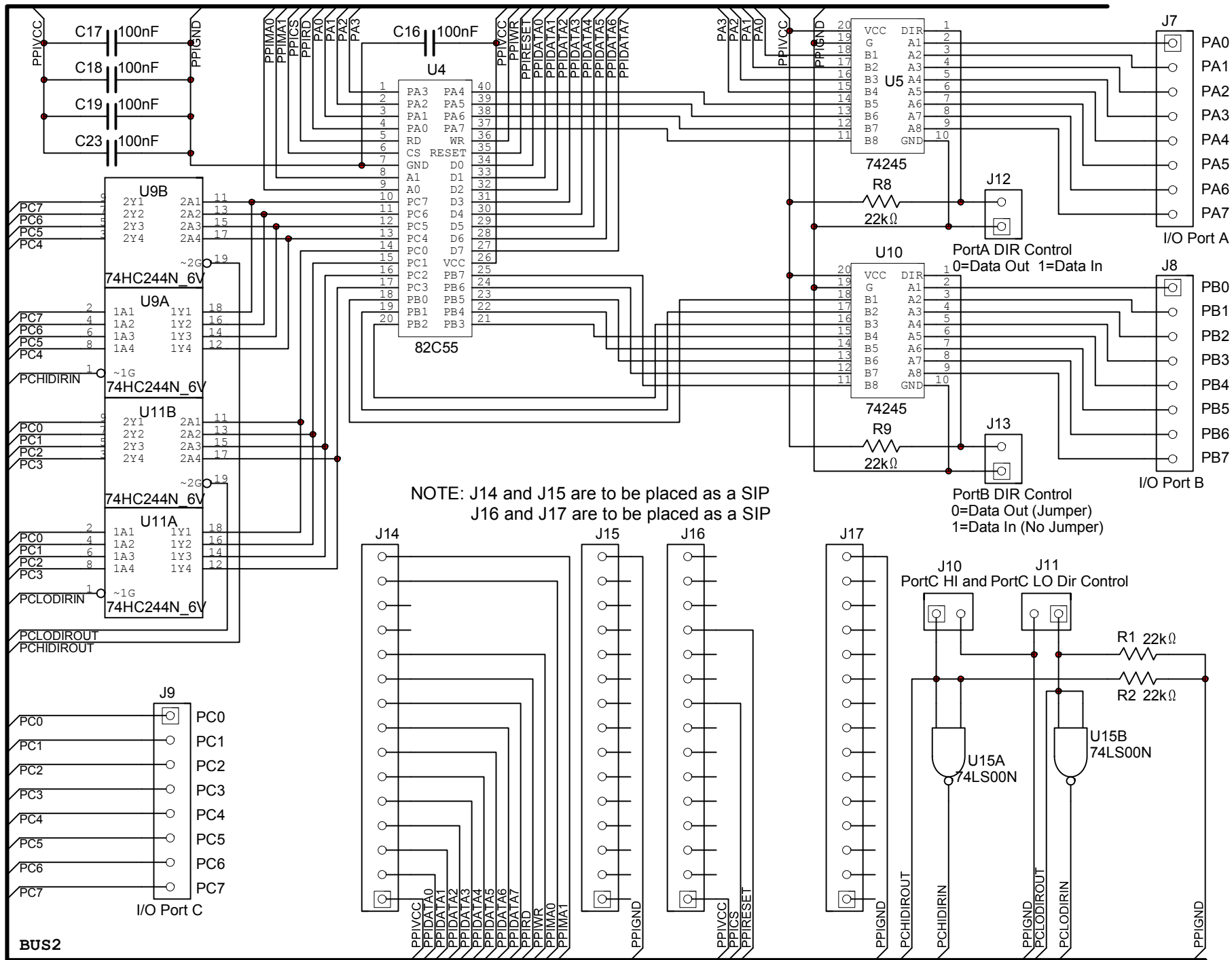


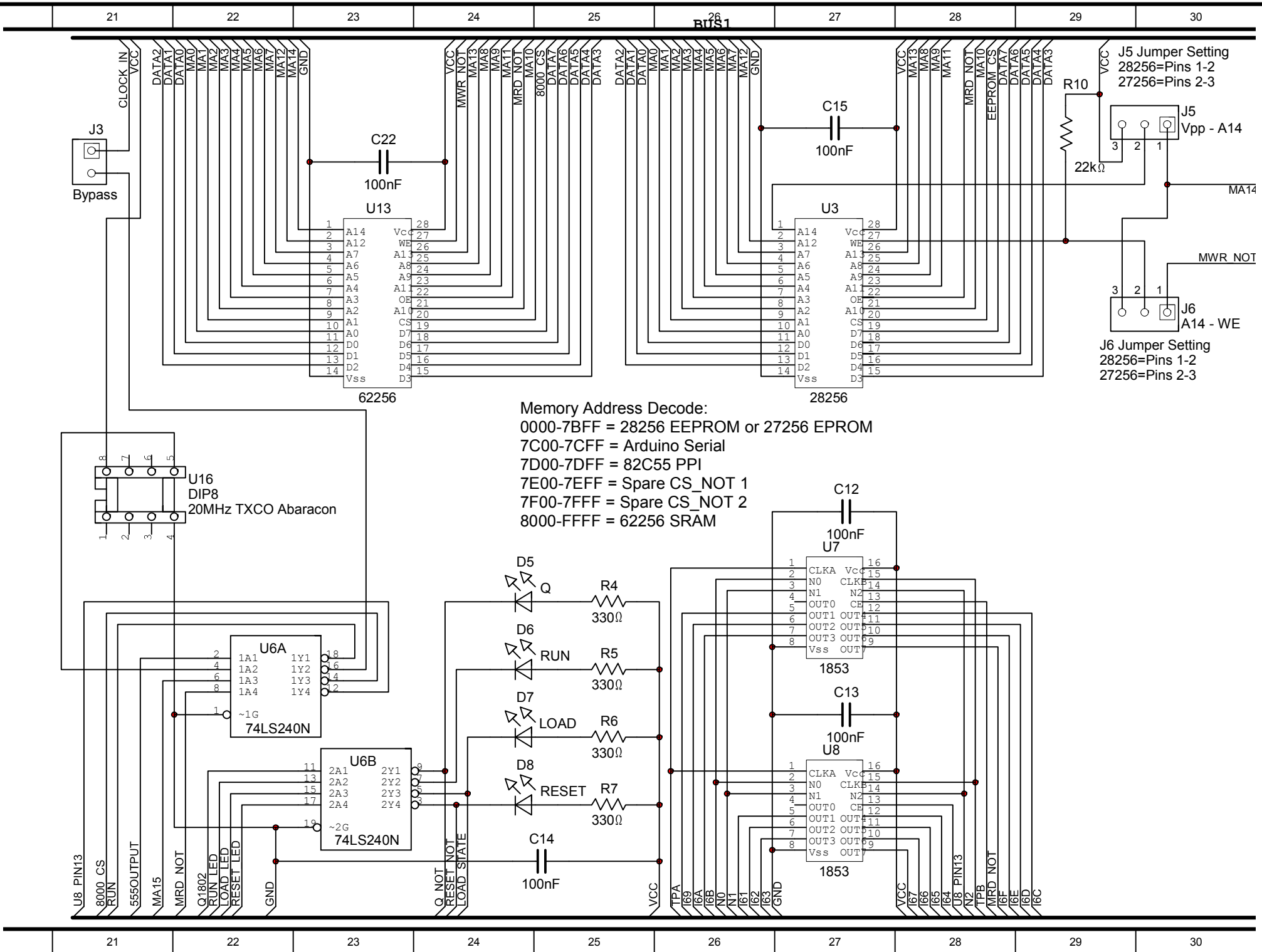
NewELFII Version 3  
 New version using an Arduino as serial ACIA

Designed by: Marc Bertrand

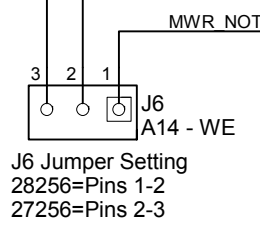
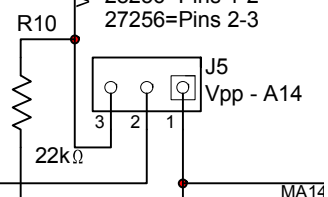
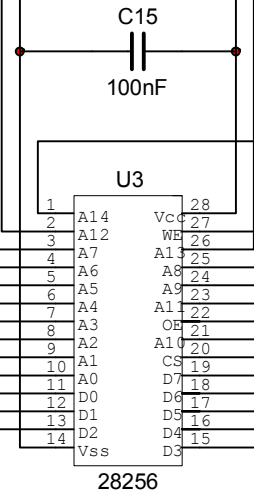
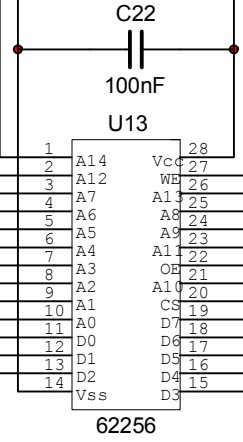
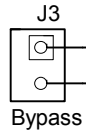
Date: 2 Jan 2018

Revision: 1.0

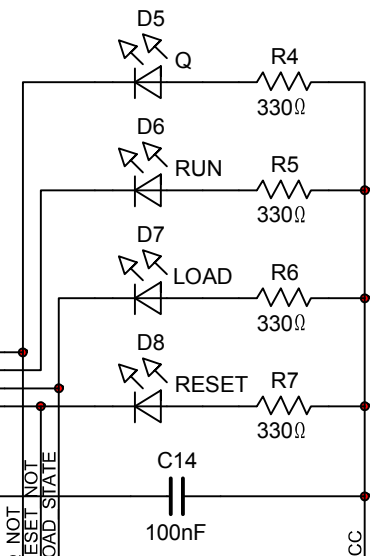
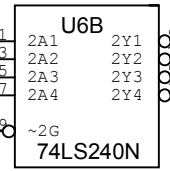
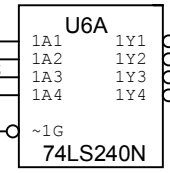
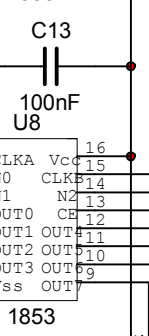
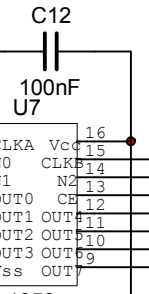
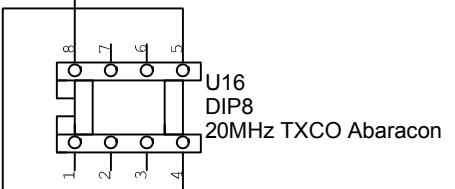




21 22 23 24 25 26 **R1F81** 27 28 29 30



**Memory Address Decode:**  
 0000-7BFF = 28256 EEPROM or 27256 EPROM  
 7C00-7CFF = Arduino Serial  
 7D00-7DFF = 82C55 PPI  
 7E00-7EFF = Spare CS\_NOT 1  
 7F00-7FFF = Spare CS\_NOT 2  
 8000-FFFF = 62256 SRAM



21 22 23 24 25 26 27 28 29 30

NOTE: The NANO has 30 pins but the schematic software didn't have 30 PDIP so had to use 32 PDIP.

NOTE: J19 and J20 are to be placed as a SIP  
J21 and J22 are to be placed as a SIP

